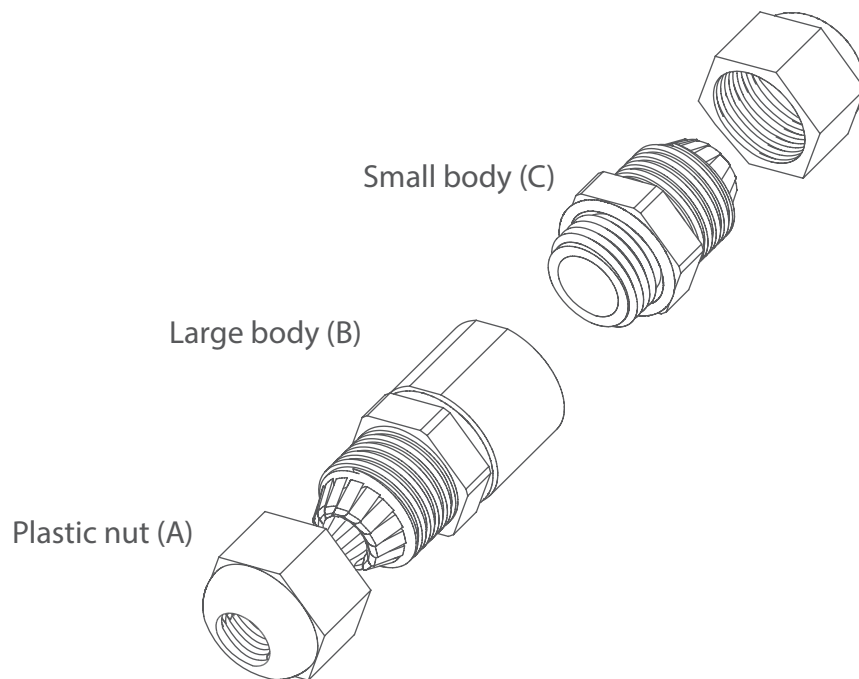


Parts needed to assemble the WATERPROOF COUPLER

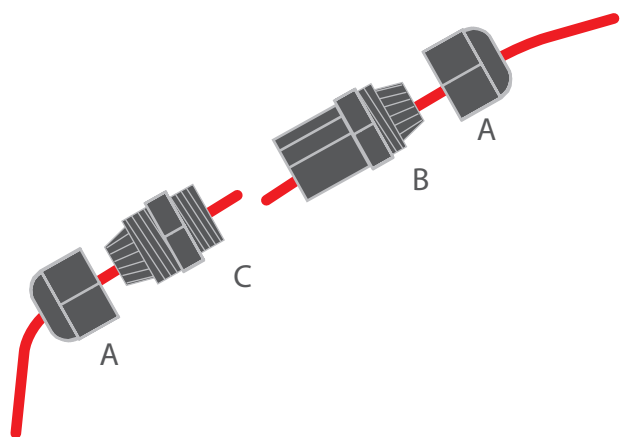


Tools needed for mounting:

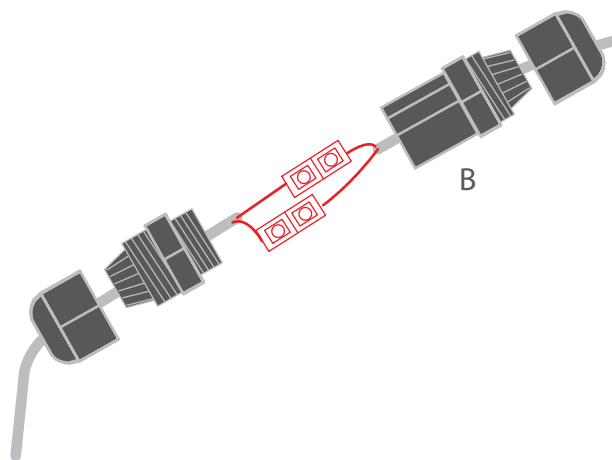
- screwdriver
- 2x flat wrench (19)

NOTE! A list of products corresponding with the selected accessories is available at klusdesign.eu

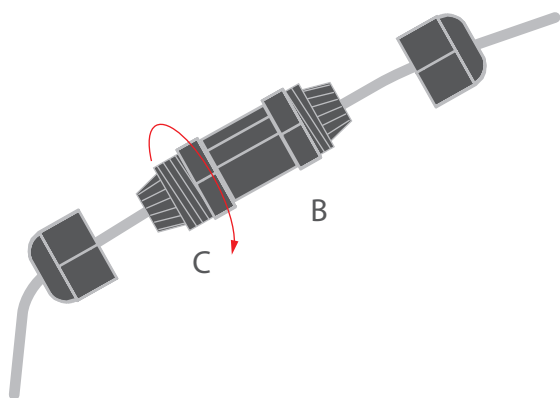
1. Run the cables through the plastic nuts (A) into the coupler bodies (B, C).



2. Connect the cables using e.g. a connection block and place the connection inside the large body (B).



3. Connect the small body (C) with the large body (B).



4. Tighten the plastic nuts (A) with two flat wrenches (19).

