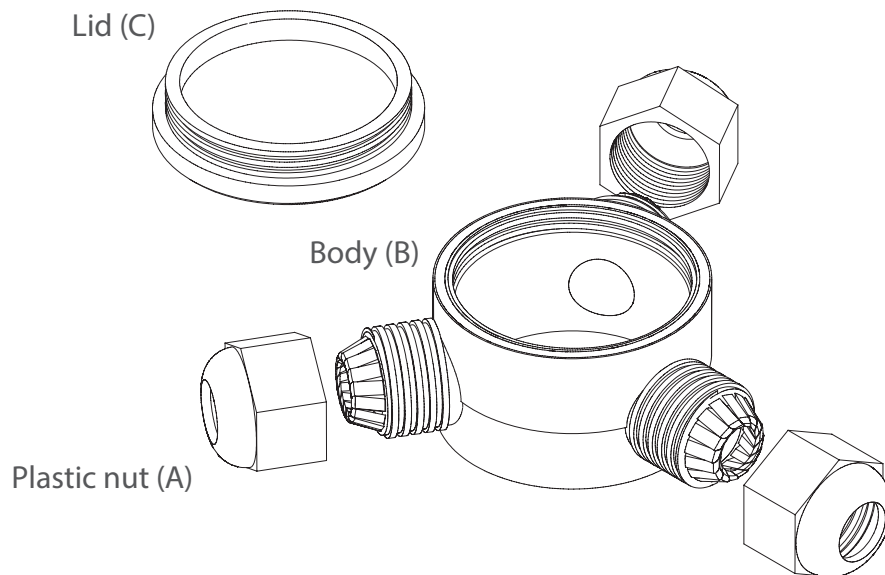


Parts needed to assemble the WATERPROOF SPLITTER

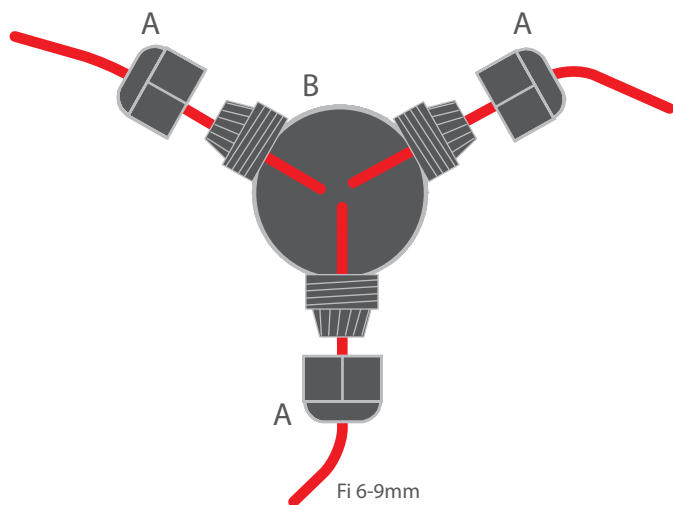


Tools needed for mounting:

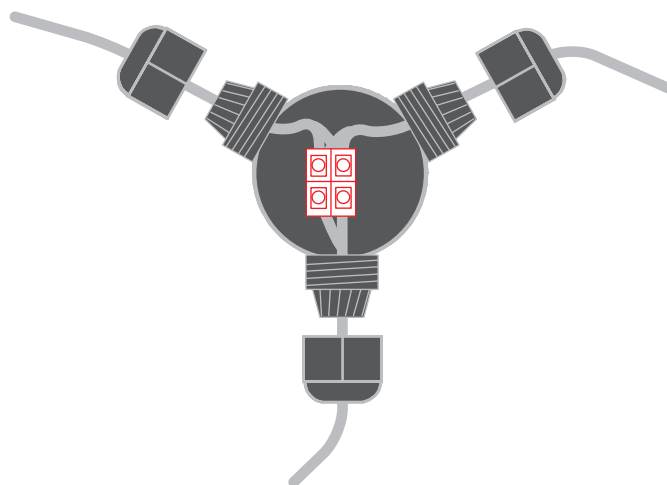
- screwdriver
- flat wrench (19)

NOTE! A list of products corresponding with the selected accessories is available at www.klusdesign.eu

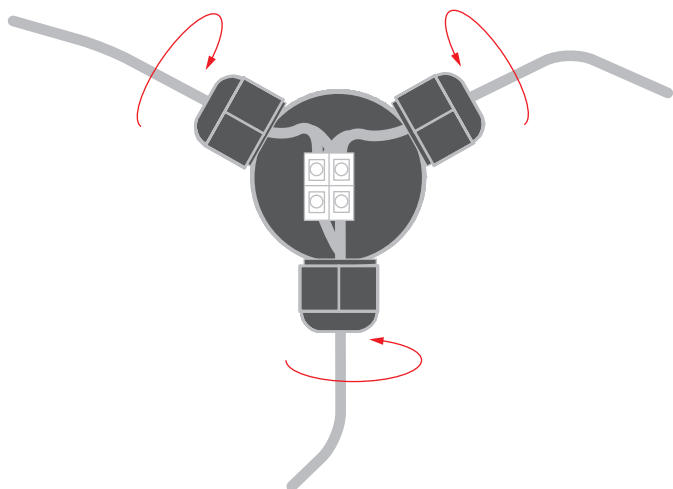
1. Run the cables with a diameter of 6-9 mm through the plastic nuts (A) into the body of the splitter (B). We recommend using a YvKSLY cable.



2. Connect the cables using e.g. a connection block and place the connection inside the body.



3. Tighten the plastic nuts with the flat wrench.



4. Put the lid (C) on the body and twist it shut

